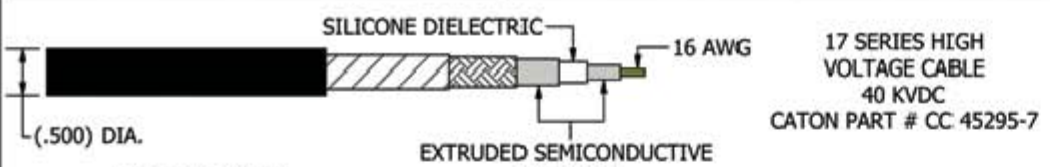


4

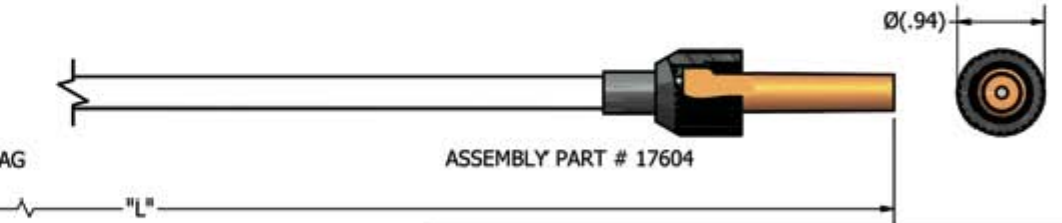
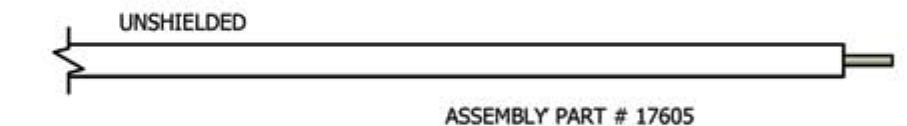
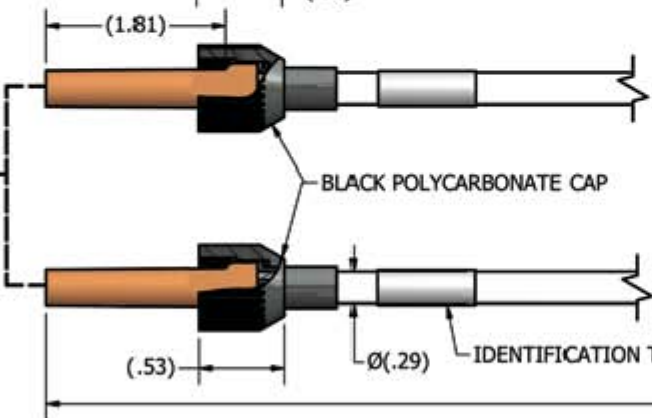
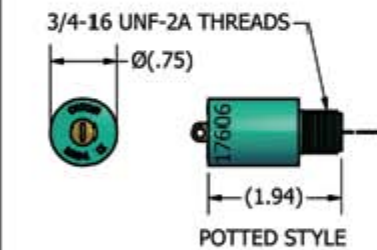
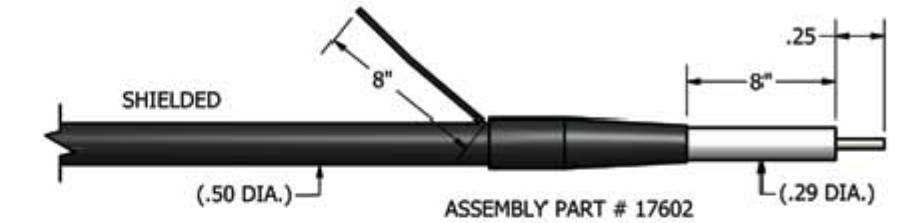
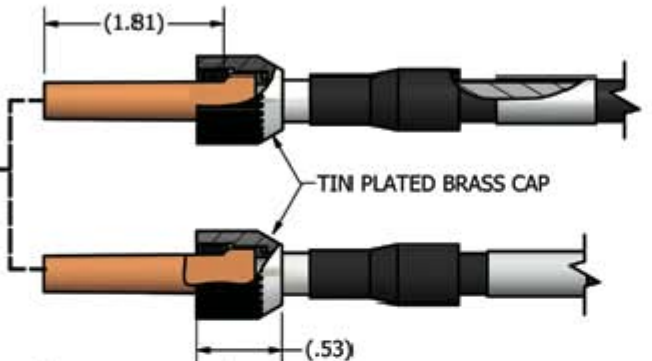
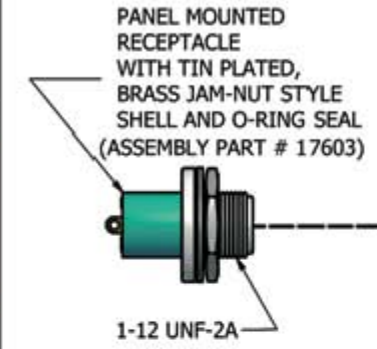
3

2

1



Part Number Construction Chart									TO CONSTRUCT PART NUMBER, MATCH LENGTH "L" WITH ASSEMBLY NUMBER
ASSEMBLY LENGTHS	L1*	L2	L3	L4	L5	L6	L7	L8	
	6"	12"	18"	24"	36"	48"	96"	120"	<b>EXAMPLE:</b> If you require assembly part number 17601- and you want it to be 36" long -- your part number would be <b>P/N 17601-L5</b>
<b>CUSTOM LENGTHS: CONTACT FACTORY</b> *Not available in shielded version as standard assembly.									



SERIES	VOLTAGE	CURRENT
17	40 KVDC	10 AMPS Continuous
WEB WWW.CATON.COM	PHONE 781-585-4315	FAX 781-585-2973

4

3

2

1