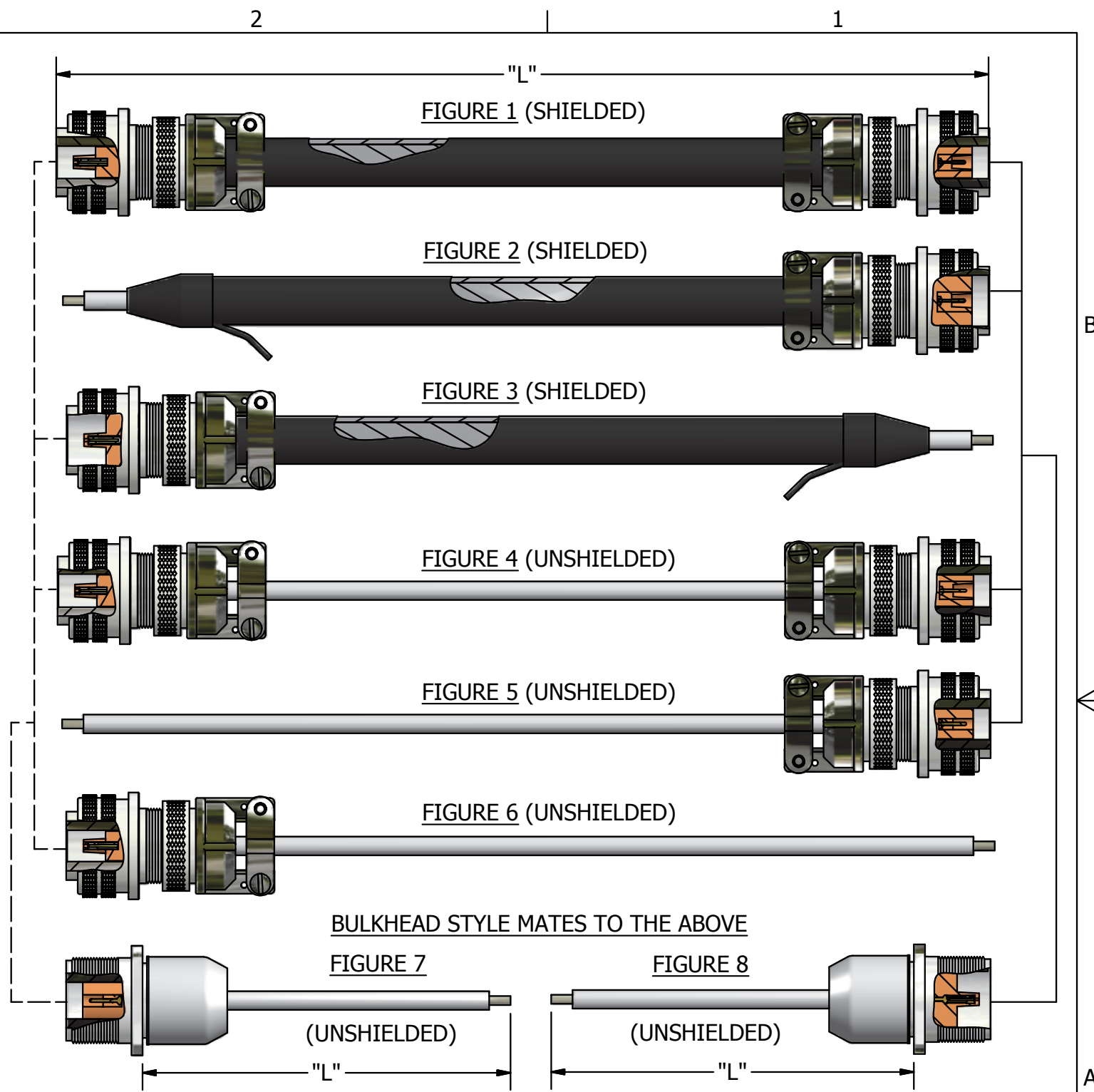
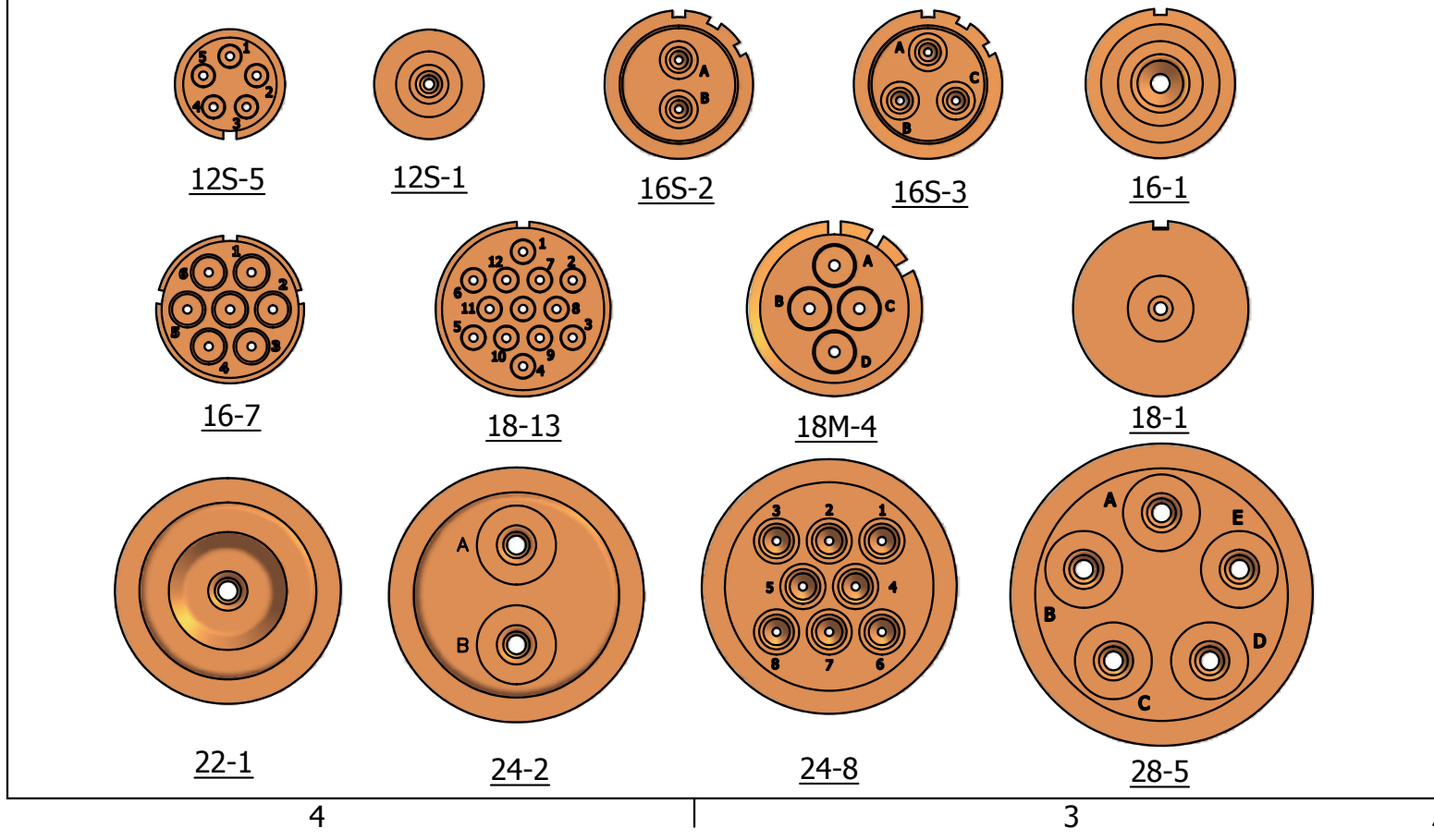



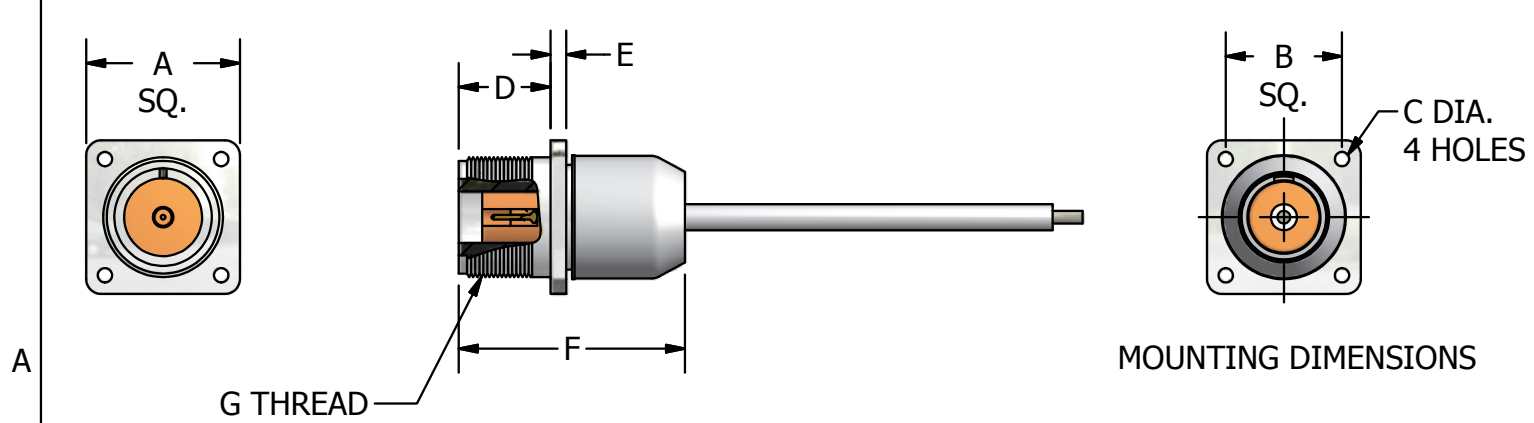
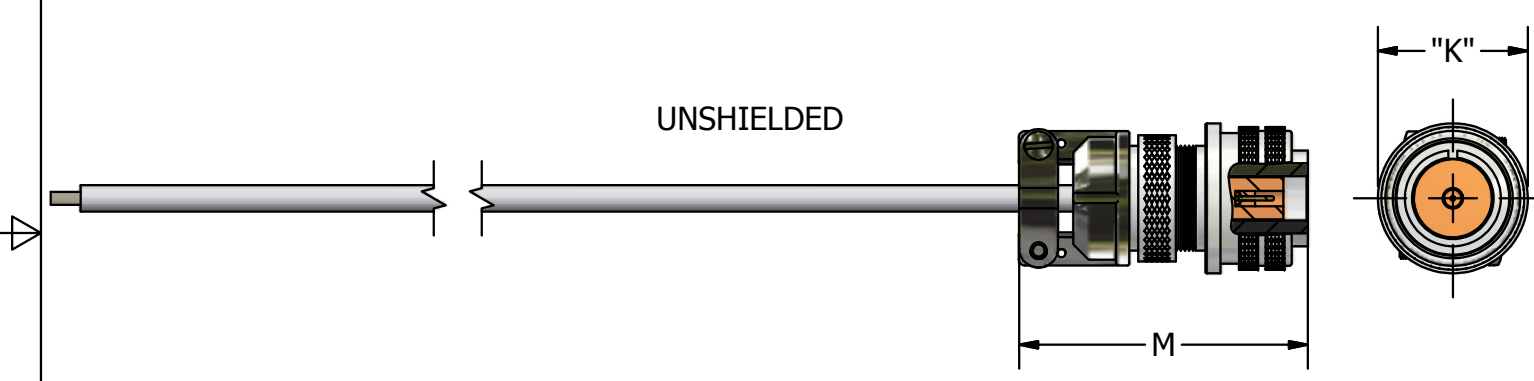
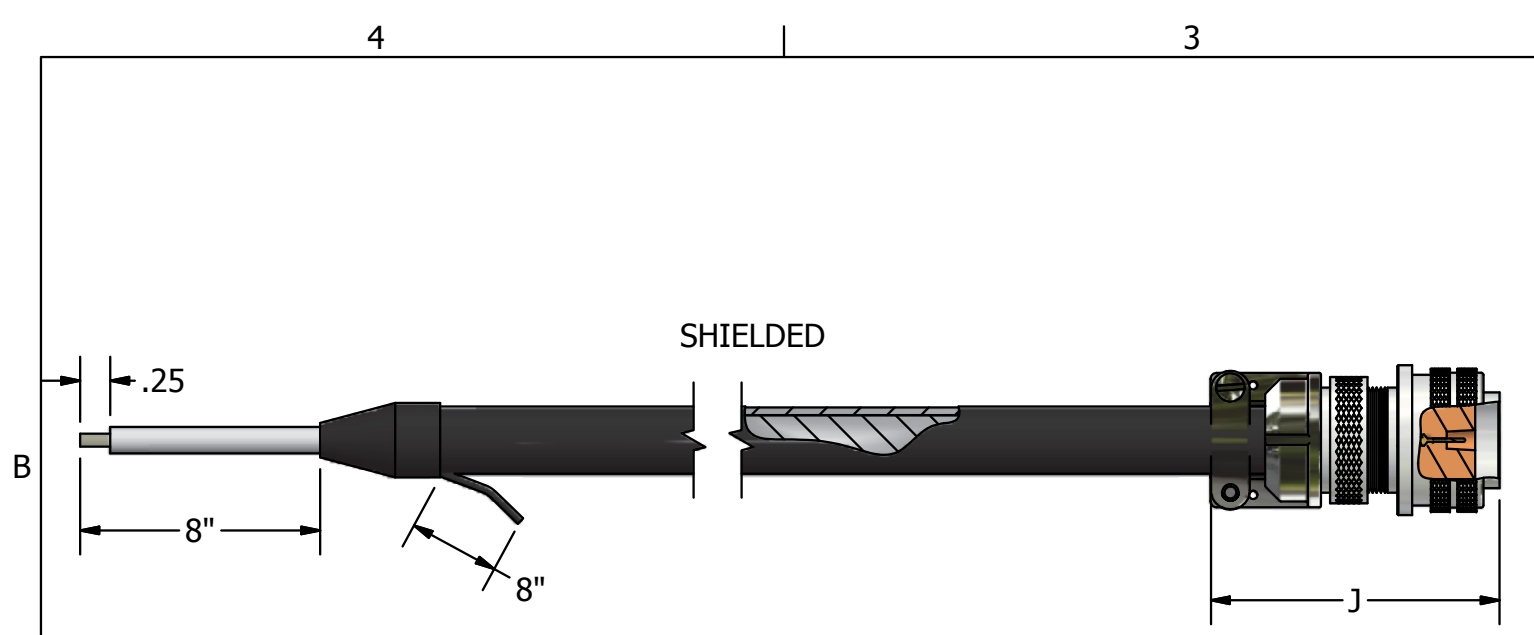
Part Number Construction Chart									TO CONSTRUCT PART NUMBER, MATCH LENGTH "L" WITH ASSEMBLY NUMBER	
ASSEMBLY LENGTHS	L1*	L2	L3	L4	L5	L6	L7	L8	<b>EXAMPLE:</b> If you require assembly part number 16107- and you want it to be 36" long -- your part number would be <b>P/N 16107-L5</b>	
CUSTOM LENGTHS: CONTACT FACTORY										
*Available on Fig. 7 and Fig. 8 style assemblies only.										

16 Series High Voltage Connector Assembly Chart													
Voltage KVDC	5		10	15				20	25	30		50	
Number of Conductors	5	13	1	3	4	7	8	1	2	5	1	2	1
Insert Configuration	12S	18-13	12S-1	16S-3	18M-4	16-7	24-8	16-1	16S-2	28-5	18-1	24-2	22-1
Shell Size	12S-5	18	12S	16S	18M	16	24	16	16S	28	18	24	22
Maximum AMP Rating	4	4	6.5	6.5	6.5	6.5	6.5	16.5	6.5	16.5	10	16.5	10
Figure Number	Assembly Part Number												
1	16001	16011	16021	16031	16041	16051	16061	16071	16081	16091	16101	16111	16121
2	16002	16012	16022	16032	16042	16052	16062	16072	16082	16092	16102	16112	16122
3	16003	16013	16023	16033	16043	16053	16063	16073	16083	16093	16103	16113	16123
4	16004	16014	16024	16034	16044	16054	16064	16074	16084	16094	16104	16114	16124
5	16005	16015	16025	16035	16045	16055	16065	16075	16085	16095	16105	16115	16125
6	16006	16016	16026	16036	16046	16056	16066	16076	16086	16096	16106	16116	16126
7	16007	16017	16027	16037	16047	16057	16067	16077	16087	16097	16107	16117	16127
8	16008	16018	16028	16038	16048	16058	16068	16078	16088	16098	16108	16118	16128




\*FOR CUSTOM AND OTHER INSERT CONFIGURATIONS NOT SHOWN PLEASE CONTACT CATON

 <small>...assuring mission success since 1973</small>		
SERIES	VOLTAGE	CURRENT
16	5 to 50 KVDC	4 to 16.5 AMPS Continuous
WEB WWW.CATON.COM	PHONE 781-585-4315	FAX 781-585-2973



SHELL SIZE	TYPICAL DIMENSIONS FOR CONNECTORS USED IN THE 16 SERIES ASSEMBLIES										
	A	B	C	D	E	F	G THREAD	H	J	K	M
12S	1.09	.81	.120	.56	.07	1.48	3/4-20 UNEF-2	.81	2.50	1.00	1.97
16S	1.28	.96	.120	.56	.09	1.65	1-20 UNEF-2	1.06	2.69	1.25	2.13
16	1.28	.96	.120	.75	.12	1.96	1-20 UNEF-2	1.06	3.06	1.25	2.40
18M	1.37	1.06	.120	.56	.12	1.77	1 1/8-18 UNEF-2	1.18	3.06	1.34	2.50
18	1.37	1.06	.120	.75	.12	1.96	1 1/8-18 UNEF-2	1.18	3.32	1.34	2.75
22	1.62	1.25	.120	.75	.12	2.00	1 3/8-18 UNEF-2	1.44	3.37	1.59	2.79
24	1.75	1.37	.147	.81	.14	2.00	1 1/2-18 UNEF-2	1.56	3.37	1.72	2.79
28	2.00	1.56	.147	.81	.14	2.09	1 3/4-18 UNS-2	1.81	3.56	1.96	3.00



 <small>...assuring mission success since 1973</small>		
SERIES	VOLTAGE	CURRENT
16	5 to 50 KVDC	4 to 16.5 AMPS Continuous
<b>WEB</b> WWW.CATON.COM	<b>PHONE</b> 781-585-4315	<b>FAX</b> 781-585-2973