

Part Number Construction Chart								
ASSEMBLY LENGTHS	L1*	L2	L3	L4	L5	L6	L7	L8
	6"	12"	18"	24"	36"	48"	96"	120"
CUSTOM LENGTHS: CONTACT FACTORY								
*Not available in shielded version as standard assembly.								

TO CONSTRUCT PART NUMBER, MATCH LENGTH "L" WITH ASSEMBLY NUMBER


EXAMPLE: If you require assembly part number 17201- and you want it to be 36" long -- your part number would be **P/N 17201-L5**

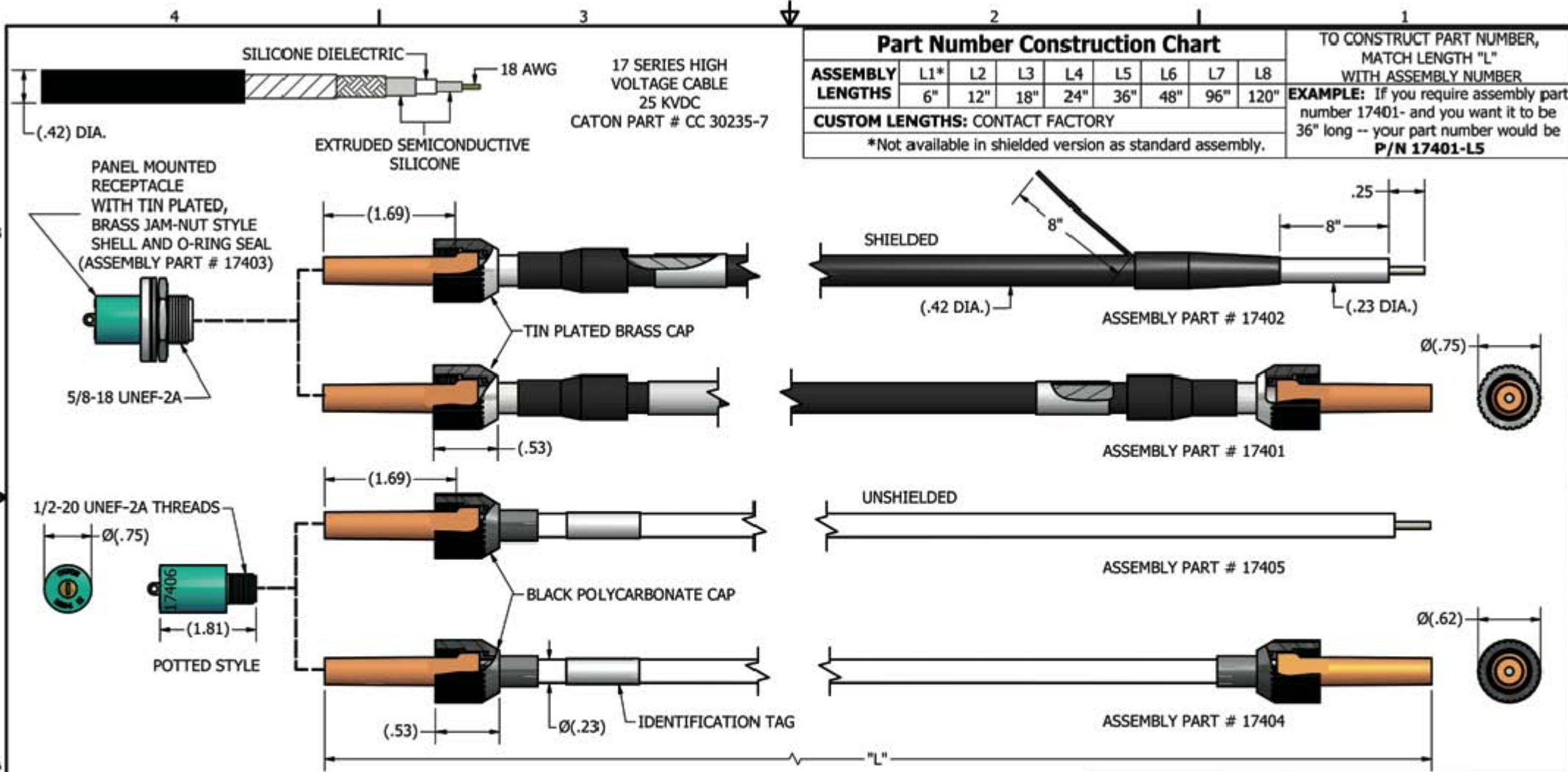
ASSEMBLY PART # 17202


ASSEMBLY PART # 17201

ASSEMBLY PART # 17205

ASSEMBLY PART # 17204

 <small>...assuring mission success since 1973</small>		
SERIES	VOLTAGE	CURRENT
17	15 KVDC	10 AMPS Continuous
WEB WWW.CATON.COM	PHONE 781-585-4315	FAX 781-585-2973



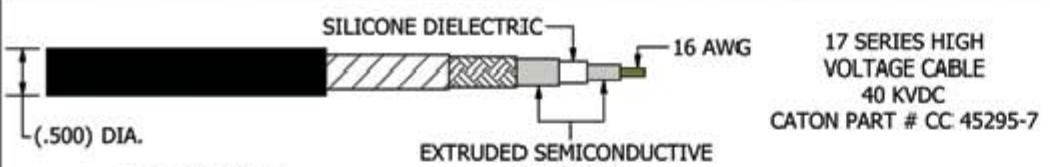
 <small>— FORMING SINCE 1958 —</small>		
SERIES	VOLTAGE	CURRENT
17	25 KVDC	6.5 AMPS Continuous
WEB	PHONE	FAX
WWW.CATON.COM	781-585-4315	781-585-2973

4

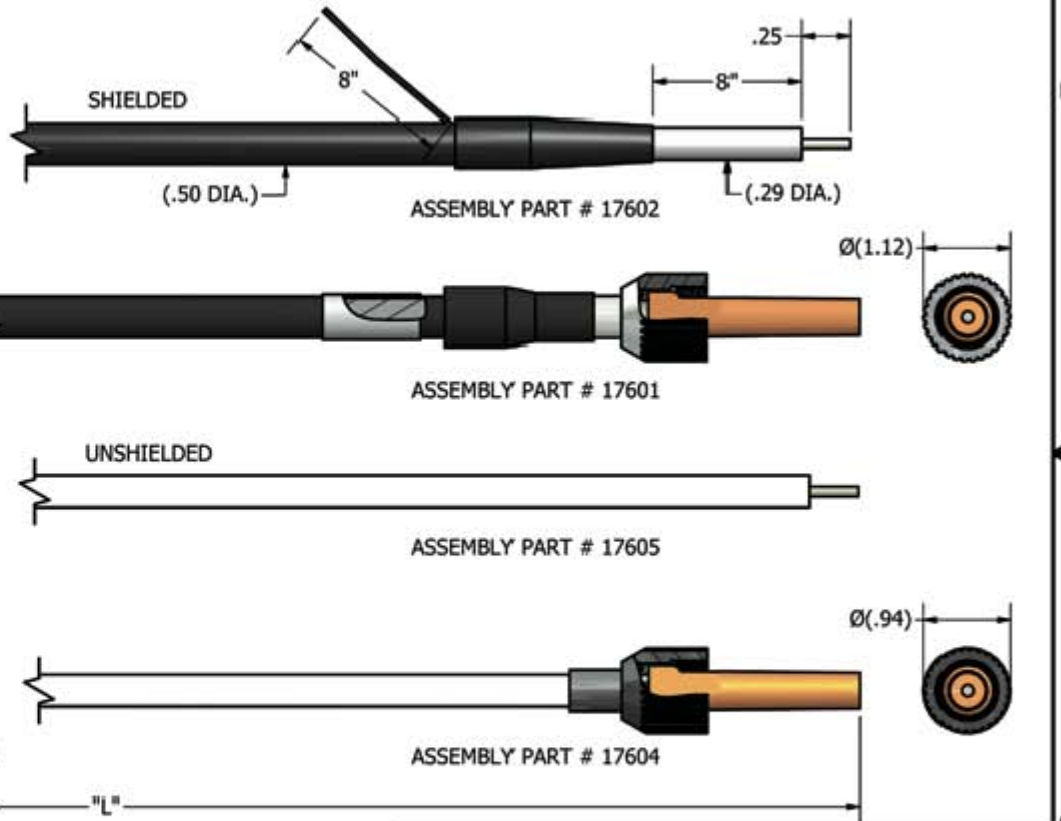
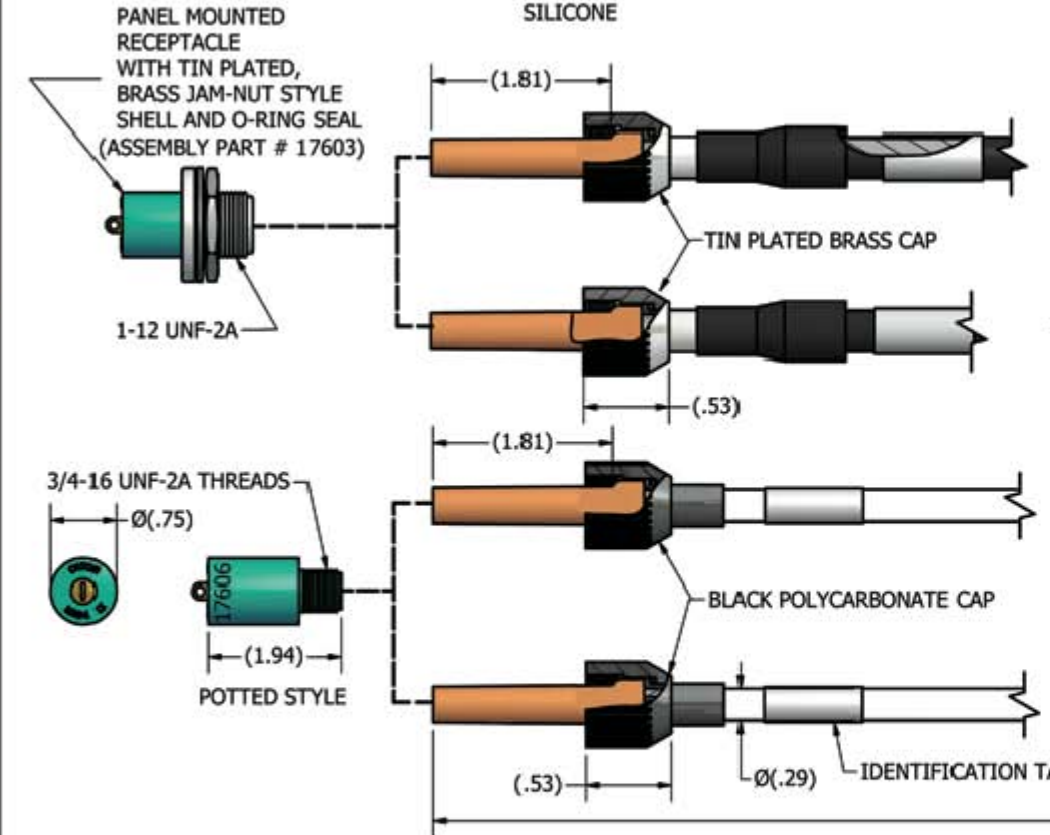
3

2

1



Part Number Construction Chart									TO CONSTRUCT PART NUMBER, MATCH LENGTH "L" WITH ASSEMBLY NUMBER
ASSEMBLY LENGTHS	L1*	L2	L3	L4	L5	L6	L7	L8	EXAMPLE: If you require assembly part number 17601- and you want it to be 36" long -- your part number would be P/N 17601-L5
	6"	12"	18"	24"	36"	48"	96"	120"	
CUSTOM LENGTHS: CONTACT FACTORY									
*Not available in shielded version as standard assembly.									



SERIES	VOLTAGE	CURRENT
17	40 KVDC	10 AMPS Continuous
WEB WWW.CATON.COM	PHONE 781-585-4315	FAX 781-585-2973

4

3

2

1