

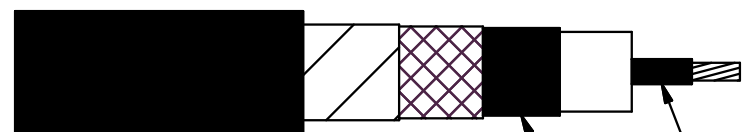
4

3

2

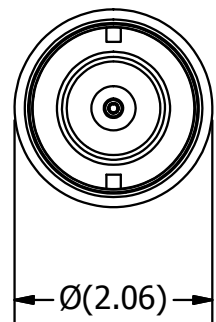
1

19 SERIES
HIGH VOLTAGE CABLE
PART # 3CC30982



EXTRUDED SEMICONDUCTIVE SILICONE

1 3/4 DOUBLE STUB THREAD



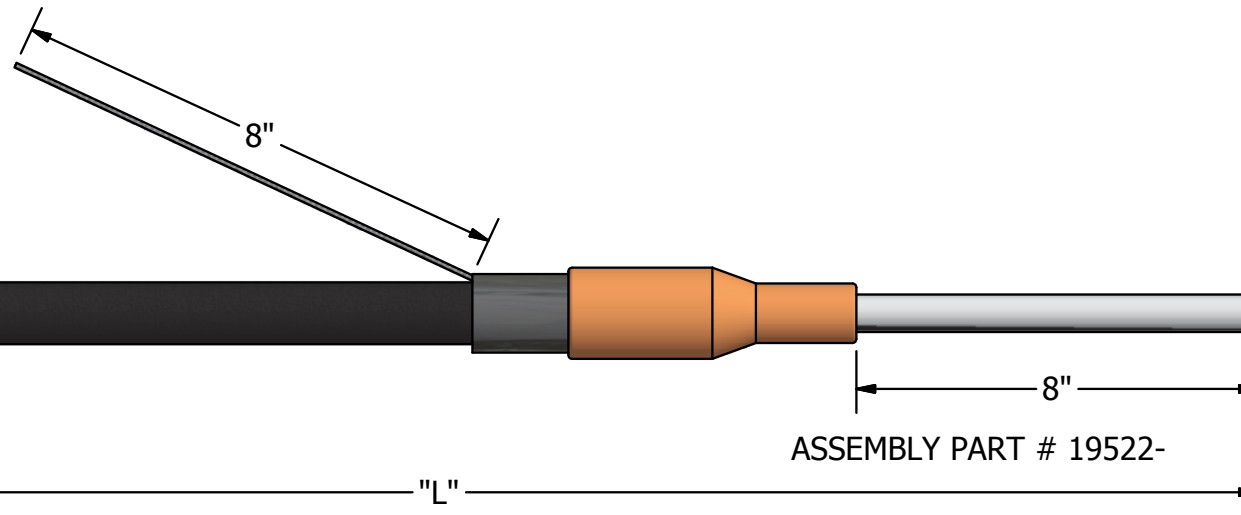
PART NUMBER CONSTRUCTION CHART							
ASSEMBLY LENGTHS	L1	L2	L3	L4	L5	L6	L7
	N/A	N/A	N/A	24"	36"	48"	96"
CUSTOM LENGTHS: CONTACT FACTORY							

TO CONSTRUCT A PART NUMBER, MATCH THE LENGTH "L" WITH AN ASSEMBLY NUMBER

EXAMPLE: If you require assembly part # **19521-** and you want it to be **96"** long, then your part # would be **19521-L7**

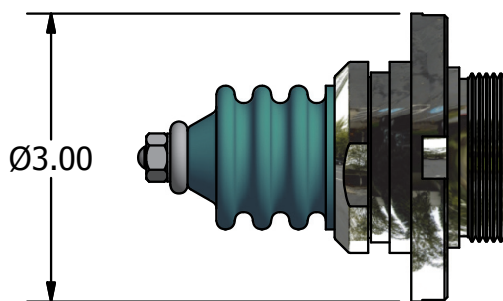


ASSEMBLY PART # 19521-

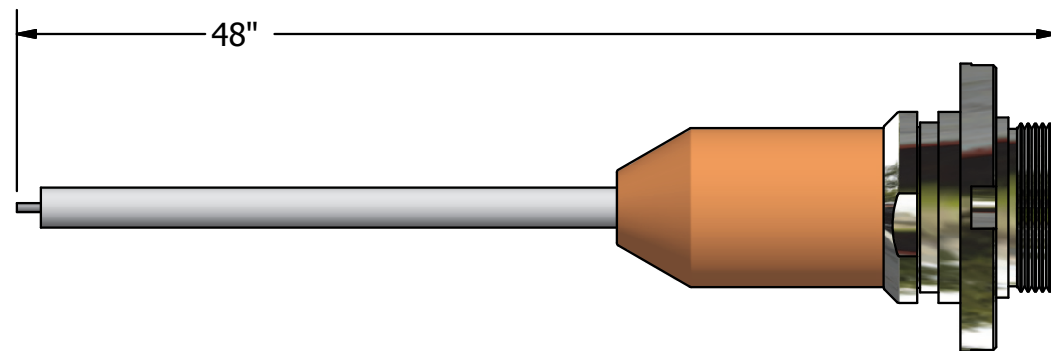
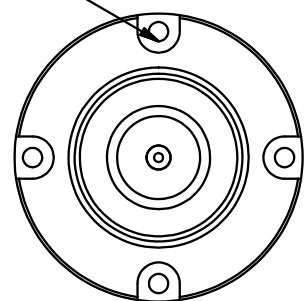


ASSEMBLY PART # 19522-

Ø.201 THROUGH HOLES EQUALLY SPACED ON 2.625 BC



19511 RECEPTACLE
FOR USE IN TRANSFORMER OIL



13194 RECEPTACLE
FOR USE IN AIR

CATON
CONNECTOR CORPORATION
...assuring mission success since 1973

SERIES	VOLTAGE	CURRENT
19	60 KVDC	20 AMPS
WEB WWW.CATON.COM	PHONE 781-585-4315	FAX 781-585-2973

4

3

2

1