

19 SERIES 60 kVDC CORONA-FREE CABLE ASSEMBLIES



Caton's 19 Series feed-through interconnect system is configured as a detachable feed through for transmitting high voltage to and from oil insulated devices with an in-air receptacle available. With voltage ratings up to 100KV, these connectors are ideal for transformers, x-ray tubes, and high power lasers. The 19 Series may be custom configured to address multi-pole applications.

The 19 Series silicone plug is bonded directly to a triple extruded, high voltage cable during the molding process. This special cable is laminated with semi-conductive layers that reduce electrical stress throughout the cable assembly. This construction is especially effective in high flex, dynamic applications.

GENERAL SPECIFICATIONS

1.0 ELECTRICAL

- 1.1 Operating Voltage: 60 kVDC, 20 kVRMS (higher voltage available)
- 1.2 Current: 26 AMPS
- 1.3 Corona Resistant: Tapered Interfacial Seal

2.0 MECHANICAL

- 2.1 Style: Bulkhead and Inline Screw Coupling
- 2.2 Termination: Resilient Silicone Rubber Insulator

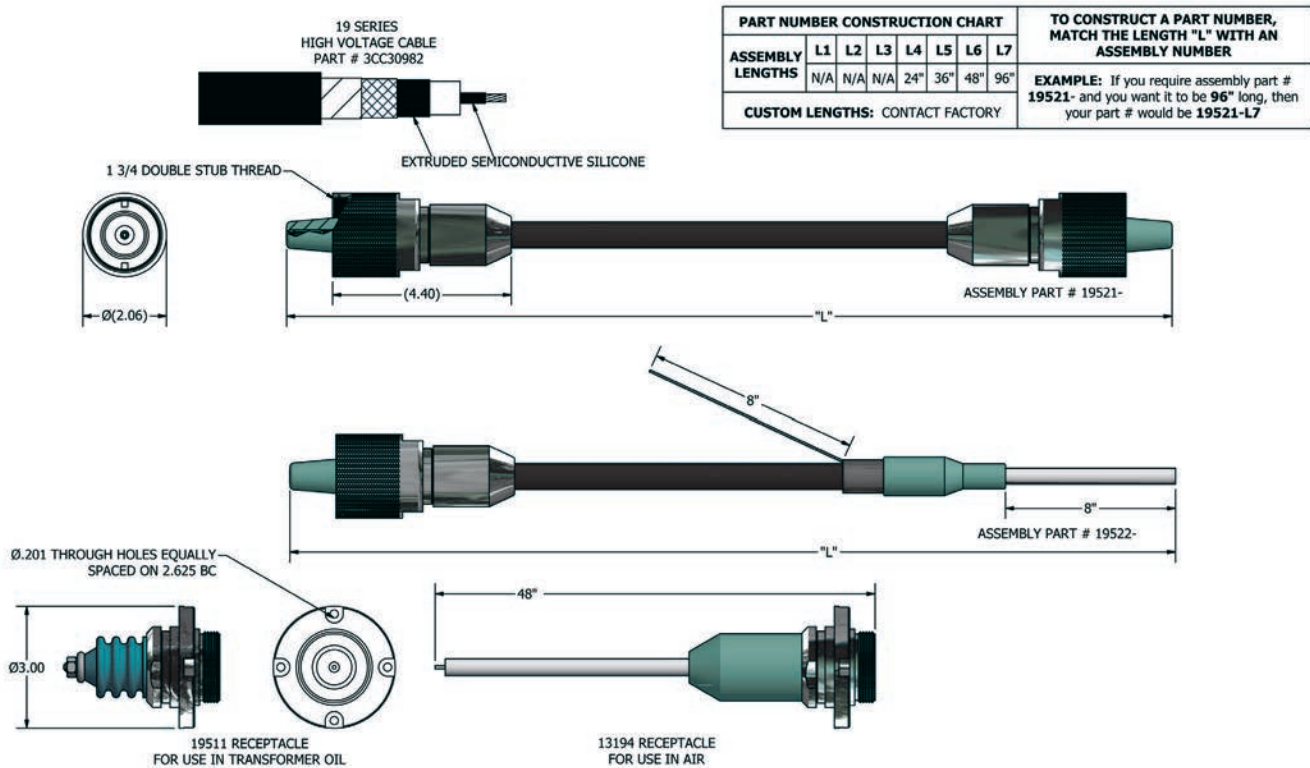
3.0 ENVIRONMENTAL

- 3.1 Altitude: Sea Level to 70,000 feet
- 3.2 Operating Temperature Range: -55°C to +125°C

4.0 MATERIALS

- 4.1 Connector Body Plug: Silicone Rubber per A-A-59588 (ZZ-R-765), Class 2B, Color; Red, Durometer; 70 Shore A
- 4.2 Connector Body Receptacle: Thermoset Diallyl Phthalate Per ASTM D 5948-96 (MIL-M-14), Color; Green
- 4.3 Cable: Silver Plated Copper, Triple Extruded Silicone Insulation
- 4.4 Cable Shielding: Braided Tinned Copper Per A-A-59569 (QQ-B-575)
- 4.5. Cable Jacket (Shielded Assemblies Only): Silicone Rubber Per A-A-59588 (ZZ-R-765), Class 2B, Color Black

19 SERIES 60 kVDC | 20 AMPS



TECHNICAL FEATURES

- Corona Free Operation
- High Pulse Applications
- High Temperature
- High Altitude Applications
- Operating Voltage to 60 kVDC
- Exclusive Caton Tapered Conical Interface

TYPICAL APPLICATIONS

- Power Supplies
- Ground Radar Installations
- Shipboard Power Systems
- Electron Microscopes & Accelerators
- Electron Beam Scanning Equipment